

**AIR HYDRAULIC PUMPS**



AIR HYDRAULIC PUMPS

**HAZ**

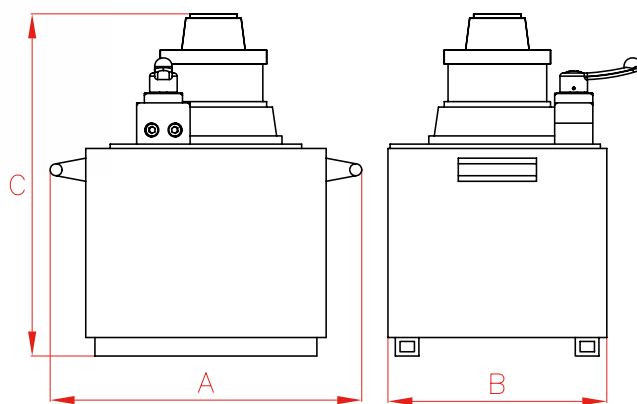
14-100 litres

700 bar

PUMPS

**LARZEP advantages**

- Powered by a rotary vane air motor suitable for use in hazardous environments.
- **The manual control valve is easily converted from double acting to single acting operation.**
- Internal safety valve set at 700 bar to prevent overpressure.
- External adjustable pressure relief valve.
- Roll bar and wheel kits available as options on request.



Capacity	A	B	C
l	mm	mm	mm
14	368	290	410
25	450	325	540
50	540	415	742
100	830	500	812

Tank	Flow at 700 bar	Flow at 60 bar	Air consump. at 5,6 bar	Valve Function	Single/A	Double/A	Power	Weight
l	l/min	l/min	l/sec				kW	kg
14	0,36	4	30	Advance-Hold-Retract	HAZ742	HAZ744	3,0	32
25	1,17	-	50	Advance-Hold-Retract	HAZ452	HAZ454	3,7	57
50	2,20	-	80	Advance-Hold-Retract	HAZ562	HAZ564	6,6	109
100	2,20	13*	80	Advance-Hold-Retract	HAZ872	HAZ874	6,6	184

\* Flow at 100 bar