

PRESSURE GAUGES



- ✓ High accuracy gauges, $\pm 1,6$ % full scale.
- ✓ Essential for monitoring working pressure or force.
- ✓ Glycerine filled gauges.
- ✓ Available as system pressure gauges or as dual scale gauges to measure load on specific cylinders.
- ✓ Digital pressure gauge AVD10008.



AZ1
FITTINGS AND MANIFOLDS



P.92

AP2
Hoses



P.84



Type **AV - AVD - AY**

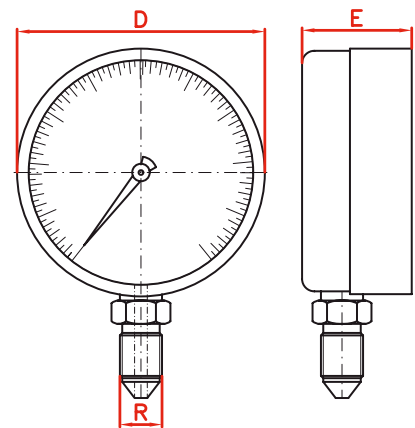
Capacity **10 - 60 ton**

Max. pressure **0 - 1.000 bar**



Digital pressure gauge: **AVD10008**
Thread: 1/4"-BSP
Gauge adaptor: **AZ1507**

 **WARNING**
Do not exceed the 70% of the nominal capacity of the gauge.



Used with	Model	End of Scale			Scale	D	E	R	Gauge Adaptor
		ton	bar	psi					
All Cylinders	AV10007	-	1.000	14.500	50 bar / 500 psi	63	31	1/4"-NPT	AZ1502
	AV10011	-	1.000	14.500	20 bar / 200 psi	80	35	1/2"-NPT	AZ1504
	AVD10008	-	1.000	14.500	0,1	80	33	1/4"-NPT	AZ1507
Press 10 ton	AY01008	10	-	-	0,5	80	35	3/8"-BSP	AZ1501
Press 20 ton	AY02008	20	-	-	0,5	80	35	3/8"-BSP	AZ1501
Press 30 ton	AY03008	30	-	-	2	80	35	3/8"-BSP	AZ1501
Press 60 ton	AY06010	60	-	-	2	100	35	3/8"-BSP	AZ1501