

DOUBLE ACTING HOLLOW PISTON CYLINDERS

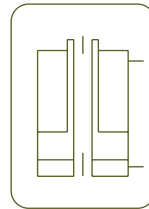


- ✓ Capacities from 30 to 150 ton, strokes up to 250 mm.
- ✓ For push and pull operations: Tensioning cables and bolts, pulling sleeves and bearings.
- ✓ Collar thread, piston end thread and base holes for easy fixing.
- ✓ Safety valve on the retract side to prevent accidental over-pressure.
- ✓ Hollow plain saddle as standard. Optional solid or threaded saddles available.

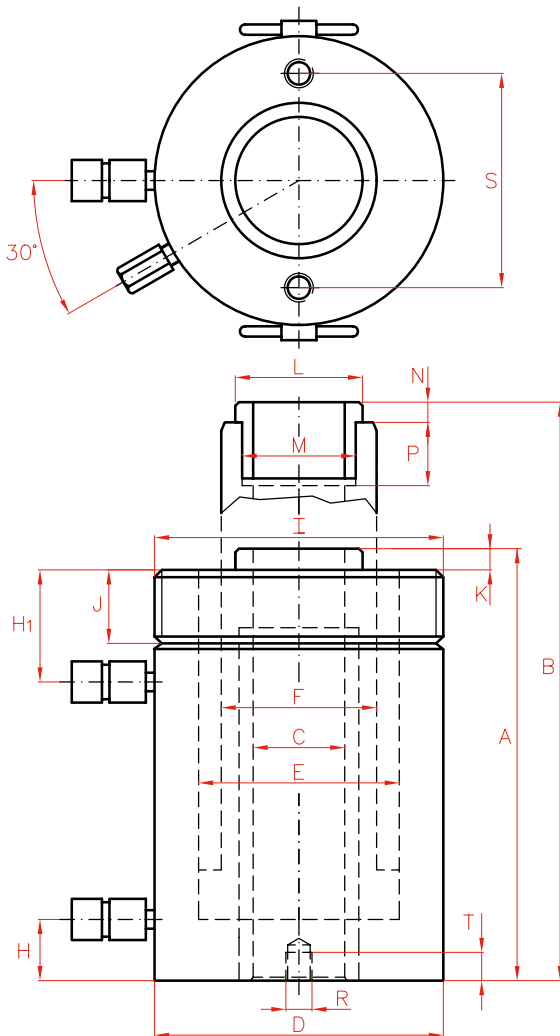


Capacity ton	Stroke mm	Model LARZEP	Capacity (kN)		Oil Cap. cm ³	A mm	B mm	C mm	D mm
			Push	Pull					
30	150	DH03015	302	173	660	300	450	34	120
	250	DH03025	302	173	1.100	400	650	34	120
60	80	DH06008	578	356	674	249	329	56	165
	150	DH06015	578	356	1.263	319	469	56	165
	250	DH06025	578	356	2.105	419	669	56	165
100	38	DH10004	1.018	647	564	197	235	81	220
	76	DH10008	1.018	647	1.128	255	331	81	220
	150	DH10015	1.018	647	2.226	335	485	81	220
	250	DH10025	1.018	647	3.709	465	715	81	220
150	200	DH15020	1.407	566	4.096	375	575	81	250





Type	DH
Capacity	30 - 150 ton
Stroke	38 - 250 mm
Max. pressure	700 bar



	E	F	H	H1	I	J	K	L	M	N	P	R	S	T	Area	Weight	Model
	mm	mm	mm	mm	UN	mm	mm	mm	UN	mm	mm	UN	mm	mm	cm ²	kg	LARZEP
	90	70	27	61	4 1/2"-12	42	4	55	1 13/16"-16	9	22	3/8"-16	92,2	17	44	22	DH03015
	90	70	27	61	4 1/2"-12	42	4	55	1 13/16"-16	9	22	3/8"-16	92,2	17	44	28	DH03025
	125	95	31	66	6 1/4"-12	48	5	80	2 3/4"-16	12	22	1/2"-13	130,3	14	84	35	DH06008
	125	95	31	66	6 1/4"-12	48	5	80	2 3/4"-16	12	22	1/2"-13	130,3	14	84	42	DH06015
	125	95	31	66	6 1/4"-12	48	5	80	2 3/4"-16	12	22	1/2"-13	130,3	14	84	53	DH06025
	170	130	37	60	-	-	5	116	4"-16	13	25	5/8"-11	177,8	19	148	48	DH10004
	170	130	37	80	8 3/8"-12	60	5	116	4"-16	13	25	5/8"-11	177,8	19	148	60	DH10008
	170	130	37	80	8 3/8"-12	60	5	116	4"-16	13	25	5/8"-11	177,8	19	148	76	DH10015
	170	130	37	80	8 3/8"-12	60	5	116	4"-16	13	25	5/8"-11	177,8	19	148	102	DH10025
	190	160	37	60	-	-	10	135	4 1/4"-12	20	40	-	-	-	205	116	DH15020