



- **Square drive and low profile hexagon torque wrenches.**
- **Robust design to tighten and loosen nuts.**
- **Torque accuracy: $\pm 3\%$ across full stroke.**
- **Wide range of accessories available.**
- **Torque wrench pumps HAT available.**

SQUARE DRIVE HYDRAULIC TORQUE WRENCHES



Remember that when loosening bolts or nuts a torque value higher than tightening torque is required. Depending on conditions, the loosening torque can reach 2,5 times the tightening torque.



Choose the most suitable model for the application from the wide range available and ensure that it will not exceed 80% of its nominal capacity during normal operation.



LARZEP advantages

- Designed to tighten and loosen nuts requiring accurate high torque during bolt tightening and maximum torque during bolt loosening.
- Compact body construction, provides high strength and small operating radius.
- 35° rotation angle and rapid return stroke.
- Adjustable 360° reaction arm with quick release lever. Easy positioning that provides the maximum torque at any angle.
- Torque accuracy: $\pm 3\%$ across full stroke.
- All models include LSQ square drive, with push button release for quickly reversing for tightening and loosening applications.
- Available wide range of heavy-duty impact sockets.
- Wide range of accessories available: Reaction Tube Extensions and Extended Reaction Arms.
- Optional Allen hexagonal Drives and Short Reaction Arms for use with allen drives.
- Several models of HAT torque wrench pumps available.

Torque (Nm)		Model	Square Drive	A	B	C	D	E	F	G	H	Weight
Min.	Max.	LARZEP	"	mm	mm	mm	mm	mm	mm	mm	mm	kg
198	1.898	LS02	3/4"	39	65	108	97	136	25	70	129	2,7
433	4.339	LS04	1"	48	78	135	128	173	33	90	161	5,0
835	8.144	LS08	1 1/2"	55	92	169	157	192	40	110	188	8,5
1.491	14.914	LS15	1 1/2"	72	114	197	190	228	50	133	229	15,0
3.407	34.079	LS34	2 1/2"	89	143	246	244	287	64	182	295	31,0

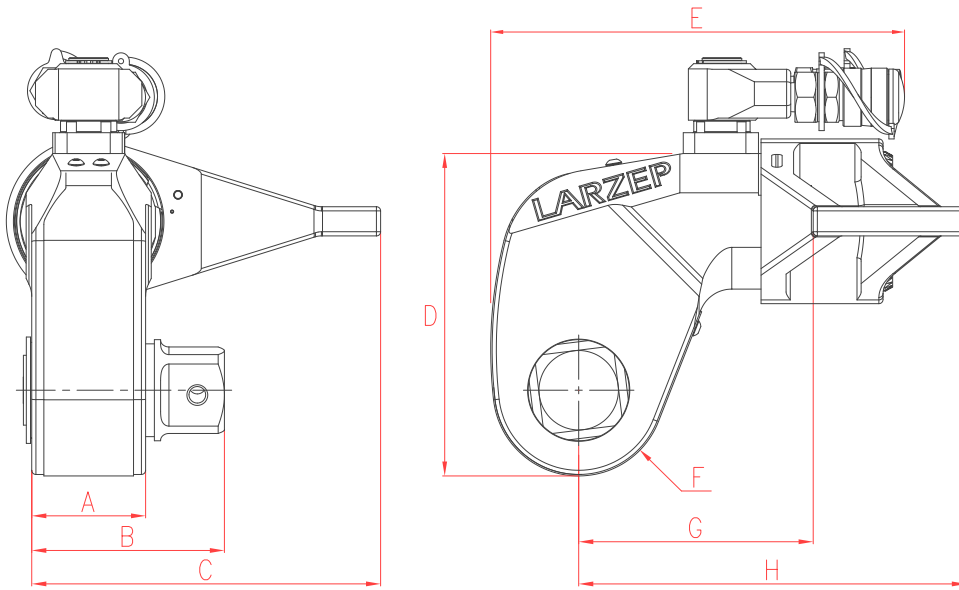
SQUARE DRIVE TORQUE WRENCHES

LS

198 - 34.079 Nm

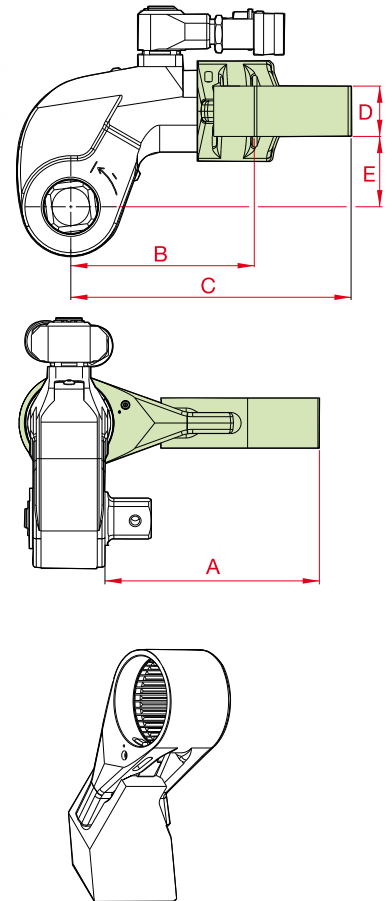
690 bar

TOOLS



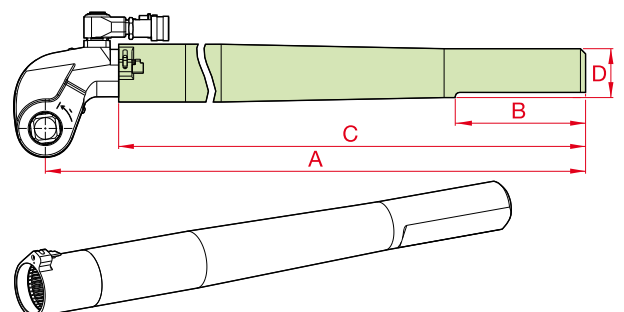
Extended Reaction Arms

Wrench	Max. Torque	Model	A	B	C	D	E	Weight
Model	Nm	LARZEP	mm	mm	mm	mm	mm	kg
LS02	1.800	LS02LA1	94	86	127	24	34	0,8
	1.640	LS02LA2	119	97	138	24	34	1,0
	1.530	LS02LA3	145	109	148	24	34	1,2
LS04	3.915	LS04LA1	111	106	168	34	48	1,6
	3.710	LS04LA2	137	117	182	34	48	2,0
	3.570	LS04LA3	162	132	198	34	48	2,5
LS08	7.840	LS08LA1	138	128	192	39	62	2,3
	7.450	LS08LA2	163	144	207	39	62	2,7
	7.175	LS08LA3	189	159	222	39	62	3,4
LS15	14.650	LS15LA1	149	157	232	46	76	4,4
	13.955	LS15LA2	175	172	247	46	76	5,1
	13.390	LS15LA3	200	187	261	46	76	5,8
LS34	33.535	LS34LA1	183	209	295	50	100	7,6
	32.045	LS34LA2	208	222	310	50	100	8,4
	30.750	LS34LA3	233	236	326	50	100	10,0



Reaction Tube Extension

Wrench	Model	A	B	C	D	Weight
Model	LARZEP	mm	mm	mm	mm	kg
LS02	LS02RT	706	152	636	58	4,6
LS04	LS04RT	733	152	647	57	5,5
LS08	LS08RT	747	152	659	65	7,7
LS15	LS15RT	769	152	675	76	11,2
LS34	LS34RT	813	152	685	100	17,3



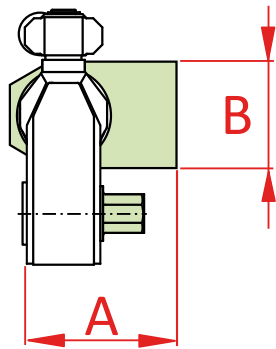

HEAVY DUTY IMPACT SOCKETS

LSS

M14 - M125
22 - 180 mm (A/F)

TOOLS

Socket		Square Drive			
Hexagon	Thread	Model	Model	Model	Model
mm (A/F)	ø	3/4"	1"	1 1/2"	2 1/2"
22	M14	LSS07022	-	-	-
24	M16	LSS07024	-	-	-
27	M18	LSS07027	LSS10027	-	-
30	M20	LSS07030	LSS10030	-	-
32	M22	LSS07032	LSS10032	LSS15032	-
36	M24	LSS07036	LSS10036	LSS15036	-
41	M27	LSS07041	LSS10041	LSS15041	-
46	M30	LSS07046	LSS10046	LSS15046	-
50	M33	LSS07050	LSS10050	LSS15050	-
55	M36	LSS07055	LSS10055	LSS15055	LSS25055
60	M39	-	LSS10060	LSS15060	LSS25060
65	M42	-	LSS10065	LSS15065	LSS25065
70	M45	-	LSS10070	LSS15070	LSS25070
75	M48	-	LSS10075	LSS15075	LSS25075
80	M52	-	LSS10080	LSS15080	LSS25080
85	M56	-	LSS10085	LSS15085	LSS25085
90	M60	-	LSS10090	LSS15090	LSS25090
95	M64	-	LSS10095	LSS15095	LSS25095
100	M68	-	-	LSS15100	LSS25100
105	M72	-	-	LSS15105	LSS25105
110	M76	-	-	LSS15110	LSS25110
115	M80	-	-	LSS15115	LSS25115
120	M85	-	-	LSS15120	LSS25120
130	M90	-	-	LSS15130	LSS25130
135	M95	-	-	LSS15135	LSS25135
145	M100	-	-	LSS15145	LSS25145
150	M105	-	-	LSS15150	LSS25150
155	M110	-	-	-	LSS25155
165	M115	-	-	-	LSS25165
175	M120	-	-	-	LSS25175
180	M125	-	-	-	LSS25180



ALLEN KEY DRIVES

LSA

14 mm - 85 mm

644 - 34.079 Nm

TOOLS

TORQUE WRENCH		ALLEN DRIVES			SHORT REACTION ARM		
Model	Model	Hexagon	Max. Torque	Length	Model	A	B
LARZEP	LARZEP	mm	Nm	mm	LARZEP	mm	mm
LS02	LSA0214	14	644	66	LS02SA	67,5	74
	LSA0217	17	1.150	68			
	LSA0219	19	1.605	70			
	LSA0222	22	1.897	73			
	LSA0224	24	1.897	74			
LS04	LSA0417	17	1.150	77	LS04SA	80,0	74
	LSA0419	19	1.605	79			
	LSA0422	22	2.485	82			
	LSA0424	24	3.230	84			
	LSA0427	27	4.336	85			
	LSA0430	30	4.336	87			
	LSA0432	32	4.336	88			
LS08	LSA0817	17	1.150	86	LS08SA	91,5	89
	LSA0819	19	1.605	88			
	LSA0822	22	2.485	91			
	LSA0824	24	3.230	93			
	LSA0827	27	4.600	94			
	LSA0830	30	6.308	96			
	LSA0832	32	7.656	97			
LS15	LSA1530	30	6.308	112	LS15SA	127,5	106
	LSA1532	32	7.656	114			
	LSA1536	36	10.894	117			
	LSA1541	41	14.905	121			
	LSA1546	46	14.905	127			
LS34	LSA3436	36	10.894	140	LS34SA	158,5	135
	LSA3441	41	16.098	144			
	LSA3446	46	22.730	148			
	LSA3450	50	29.194	151			
	LSA3455	55	34.079	154			
	LSA3460	60	34.079	158			
	LSA3465	65	34.079	161			
	LSA3470	70	34.079	164			
	LSA3475	75	34.079	168			
	LSA3485	85	34.079	175			

LOW PROFILE HYDRAULIC HEXAGON TORQUE WRENCHES



LARZEP advantages

- Designed to tighten and loosen directly nuts requiring accurate high torque during bolt tightening and maximum torque during bolt loosening.
- Low profile design and small operating radius.
- Robust and easy to disassemble for maintenance without special tools.
- The wrenches consist of a cylinder (LX_ _) and an interchangeable hexagonal cassette (LX_ _H_ _ _).
Example: If you need a torque wrench for 50 mm hexagon with a maximum torque of 5.100 Nm, references to request are LX06 + LX06H050.
- Wide range of interchangeable cassettes, from 30mm to 155mm hexagon.
- Wide range of hexagonal reducer inserts to extend the range of nut size as option.
- Fast release drive unit for quick exchange of cassette.
- 30° rotation angle and rapid return stroke.
- Torque accuracy: $\pm 3\%$ across full stroke.
- Wide range of accessories available: Extended Reaction Arms and Reaction Paddles.
- Several models of HAT torque wrench pumps available.



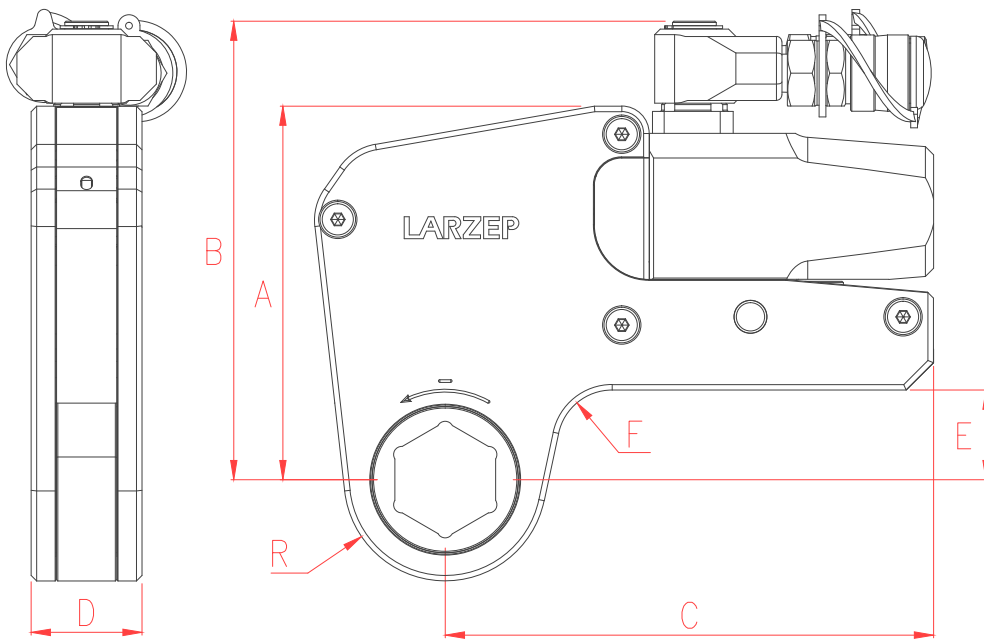
Drive Unit



Cassette



Reducer Inserts



HEXAGONAL TORQUE WRENCHES

LX

2.712 - 47.450 Nm

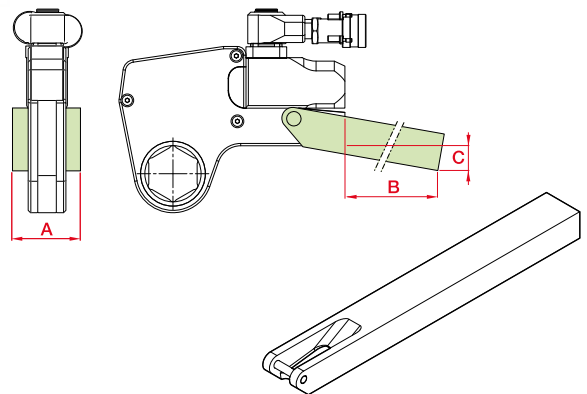
690 bar

TOOLS

Torque	Cylinder		Cassette		Dimensions						
Maximum Nm	Model LARZEP	Weight kg	Model LARZEP	Hexagon mm	Weight kg	A mm	B mm	C mm	D mm	E mm	F mm
2.712	LX03	1,4	LX03H_	30 to 60	2,1-2,3	109	141	148	32	24	20
5.423	LX06	2,0	LX06H_	36 to 85	3,7-4,5	136	167	178	41	33	20
10.846	LX11	3,0	LX11H_	50 to 105	7,9-9,3	172	205	208	53	42	25
20.337	LX21	5,0	LX21H_	65 to 115	13,6-15,1	207	240	253	63	50	20
30.505	LX31	7,7	LX31H_	75 to 135	21,9-25,0	227	266	297	77	48	35
47.450	LX47	11,4	LX47H_	80 to 155	31,8-36,7	268	301	345	91	69-73	50

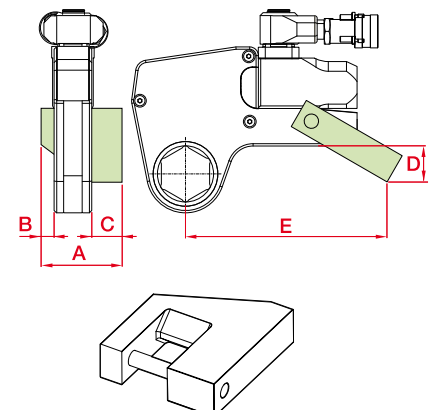
Extended Reaction Arms

Wrench	Model	A	B	C	Weight
Model	LARZEP	mm	mm	mm	kg
LX03	LX03LA	56	398	76	2,6
LX06	LX06LA	66	436	74	4,6
LX11	LX11LA	85	449	55	7,6
LX21	LX21LA	102	498	72	12,0
LX31	LX31LA	114	524	77	17,3
LX47	LX47LA	127	419	133	17,8



Reaction Paddles

Wrench	Model	A	B	C	D	E	Weight
Model	LARZEP	mm	mm	mm	mm	mm	kg
LX03	LX03SA	84	16	35	45	148	0,4
LX06	LX06SA	109	21	47	59	190	0,8
LX11	LX11SA	137	26	57	69	223	2,0
LX21	LX21SA	165	32	69	87	257	3,9
LX31	LX31SA	207	37	91	134	317	7,2
LX47	LX47SA	225	42	91	182	367	10,6



HEXAGONAL REDUCER INSERTS

CASSETTES				HEXAGONAL REDUCER INSERTS					
Model	Thread	Hexagon	R	Model	Reducer	Model	Reducer	Model	Reducer
LX03		mm (A/F)	mm	LX03	mm (A/F)	LX03	mm (A/F)	LX03	mm (A/F)
LX03H030	M20	30	31	-	-	-	-	-	-
LX03H032	M22	32	31	-	-	-	-	-	-
LX03H036	M24	36	31	-	-	-	-	-	-
LX03H041	M27	41	34	LX03R041032	41 - 32	LX03R041030	41 - 30	LX03R041024	41 - 24
LX03H046	M30	46	34	LX03R046036	46 - 36	LX03R046032	46 - 32	-	-
LX03H050	M33	50	39	LX03R050041	50 - 41	LX03R050036	50 - 36	-	-
LX03H055	M36	55	42	LX03R055046	55 - 46	LX03R055041	55 - 41	LX03R055036	55 - 36
LX03H060	M39	60	45	LX03R060050	60 - 50	LX03R060046	60 - 46	LX03R060041	60 - 41
-	-	-	-	LX03R060036	60 - 36	-	-	-	-

CASSETTES				HEXAGONAL REDUCER INSERTS					
Model	Thread	Hexagon	R	Model	Reducer	Model	Reducer	Model	Reducer
LX06		mm (A/F)	mm	LX06	mm (A/F)	LX06	mm (A/F)	LX06	mm (A/F)
LX06H036	M24	36	37	-	36 - 30	-	-	-	-
LX06H041	M27	41	37	-	41 - 32	-	-	-	-
LX06H046	M30	46	40	-	46 - 36	-	-	-	-
LX06H050	M33	50	42	LX06R050036	50 - 36	-	-	-	-
LX06H055	M36	55	44	LX06R055041	55 - 41	LX06R055036	55 - 36	LX06R055032	55 - 32
LX06H060	M39	60	47	LX06R060050	60 - 50	LX06R060046	60 - 46	LX06R060036	60 - 36
AX06H065	M42	65	50	LX06R065055	65 - 55	LX06R065050	65 - 50	LX06R065046	65 - 46
LX06H070	M45	70	53	LX06R070060	70 - 60	LX06R070055	70 - 65	-	-
LX06H075	M48	75	55	LX06R075065	75 - 65	LX06R075060	75 - 60	LX06R075055	75 - 55
-	-	-	-	LX06R075050	75 - 50	-	-	-	-
LX06H080	M52	80	59	LX06R080070	80 - 70	LX06R080065	80 - 65	LX06R080060	80 - 60
-	-	-	-	LX06R080055	80 - 55	LX06R080050	80 - 50	-	-
LX06H085	M56	85	62	-	-	-	-	-	-

CASSETTES				HEXAGONAL REDUCER INSERTS					
Model	Thread	Hexagon	R	Model	Reducer	Model	Reducer	Model	Reducer
LX11		mm (A/F)	mm	LX11	mm (A/F)	LX11	mm (A/F)	LX11	mm (A/F)
LX11H050	M33	50	45	-	-	-	-	-	-
LX11H055	M36	55	48	-	-	-	-	-	-
LX11H060	M39	60	51	-	-	-	-	-	-
LX11H065	M42	65	56	LX11R065050	65 - 50	-	-	-	-
LX11H070	M45	70	56	LX11R070055	70 - 55	-	-	-	-
LX11H075	M48	75	58	LX11R075060	75 - 60	LX11R075055	75 - 55	-	-
LX11H080	M52	80	61	LX11R080065	80 - 65	LX11R080060	80 - 60	LX11R080055	80 - 55
-	-	-	-	LX11R080050	80 - 50	-	-	-	-
LX11H085	M56	85	66	LX11R085070	85 - 70	LX11R085065	85 - 65	LX11R085060	85 - 60
-	-	-	-	LX11R085055	85 - 55	-	-	-	-
LX11H090	M60	90	74	LX11R090075	90 - 75	-	-	-	-
LX11H095	M64	95	74	LX11R095080	95 - 80	LX11R095075	95 - 75	-	-
LX11H100	M68	100	80	-	-	-	-	-	-
LX11H105	M72	105	80	-	-	-	-	-	-

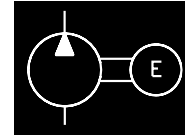
HEXAGONAL REDUCER INSERTS

CASSETTES				HEXAGONAL REDUCER INSERTS					
Model	Thread	Hexagon	R	Model	Reducer	Model	Reducer	Model	Reducer
LX21		mm (A/F)	mm	LX21	mm (A/F)	LX21	mm (A/F)	LX21	mm (A/F)
LX21H070	M45	70	59	-	-	-	-	-	-
LX21H075	M48	75	62	-	-	-	-	-	-
LX21H080	M52	80	65	LX21R080065	80 - 65	-	-	-	-
LX21H085	M56	85	70	LX21R085070	85 - 70	-	-	-	-
LX21H090	M60	90	75	LX21R090075	90 - 75	-	-	-	-
LX21H095	M64	95	75	LX21R095080	95 - 80	LX21R095075	95 - 75	-	-
LX21H100	M68	100	81	-	100 - 90	-	-	-	-
LX21H105	M72	105	81	LX21R105090	105 - 90	-	-	-	-
LX21H110	M76	110	88	LX21R110095	110 - 95	-	-	-	-
LX21H115	M80	115	88	LX21R115100	115 - 100	-	-	-	-

CASSETTES				HEXAGONAL REDUCER INSERTS					
Model	Thread	Hexagon	R	Model	Reducer	Model	Reducer	Model	Reducer
LX31		mm (A/F)	mm	LX31	mm (A/F)	LX31	mm (A/F)	LX31	mm (A/F)
LX31H075	M48	75	67	-	-	-	-	-	-
LX31H080	M52	80	67	LX31R080060	80 - 60	LX31R080055	80 - 55	-	-
LX31H085	M56	85	73	LX31R085065	85 - 65	LX31R085060	85 - 60	-	-
LX31H090	M60	90	78	LX31R090070	90 - 70	LX31R090060	90 - 60	-	-
LX31H095	M64	95	78	LX31R095075	95 - 75	-	-	-	-
LX31H100	M68	100	85	-	-	-	-	-	-
LX31H105	M72	105	85	-	-	-	-	-	-
LX31H110	M76	110	90	-	-	-	-	-	-
LX31H115	M80	115	90	-	-	-	-	-	-
LX31H120	M85	120	95	-	-	-	-	-	-
LX31H130	M90	130	100	-	-	-	-	-	-
LX31H135	M95	135	100	LX31R135105	135 - 105	-	-	-	-

CASSETTES				HEXAGONAL REDUCER INSERTS					
Model	Thread	Hexagon	R	Model	Reducer	Model	Reducer	Model	Reducer
LX47		mm (A/F)	mm	LX47	mm (A/F)	LX47	mm (A/F)	LX47	mm (A/F)
LX47H080	M52	80	129	LX47R080050	80 - 50	-	-	-	-
LX47H085	M56	85	129	-	-	-	-	-	-
LX47H090	M60	90	135	LX47R090060	90 - 60	-	-	-	-
LX47H095	M64	95	135	-	-	-	-	-	-
LX47H100	M68	100	139	-	-	-	-	-	-
LX47H105	M72	105	139	-	-	-	-	-	-
LX47H110	M76	110	146	LX47R110085	110 - 85	-	-	-	-
LX47H115	M80	115	146	-	-	-	-	-	-
LX47H120	M85	120	153	LX47R120095	120 - 95	-	-	-	-
LX47H130	M90	130	160	LX47R130105	130 - 105	-	-	-	-
LX47H135	M95	135	160	LX47R135110	135 - 110	-	-	-	-
LX47H140	M95	140	163	LX47R140115	140 - 115	-	-	-	-
LX47H145	M100	145	163	LX47R145120	145 - 120	-	-	-	-
LX47H150	M105	150	169	-	-	-	-	-	-
LX47H155	M110	155	169	LX47R155130	155 - 130	-	-	-	-

ASSOCIATED TORQUE WRENCH PUMP



HAT

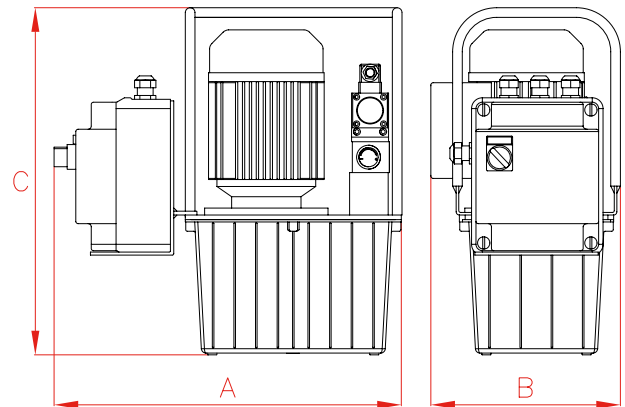
PUMPS

5-14 litres

700 bar



Capacity	A	B	C
l	mm	mm	mm
5	460	280	540
10	500	350	600
14	540	368	615



LARZEP advantages

- Tank reservoir from 5 to 14 litres.
- Push button controlled solenoid valves.
- Internal safety valve set at 700 bar to prevent overpressure.
- Precision adjustable pressure regulating valve.
- 4 ways / 2 positions valve.
- For use with double acting torque wrenches only.
- Supplied with a 3 metre cable with remote pendant.
- Easy to operate: Pressing the button advances the tool and when releasing it retracts automatically.

Tank	Flow at 700 bar	Flow at 60 bar	Valve	50 Hz Single Phase		60 Hz Single Phase		Power	Weight
				230 V	115 V	230 V	115 V		
l	l/min	l/min	ways/positions					kW	kg
5	0,36	4	4/2	HAT7291	HAT7295	HAT7293	HAT7296	0,75	34,4
10	0,36	4	4/2	HAT7391	HAT7395	HAT7393	HAT7396	0,75	40,6
14	0,36	4	4/2	HAT7491	HAT7495	HAT7493	HAT7496	0,75	44,4

Tank	Flow at 700 bar	Flow at 60 bar	Valve	50/60 Hz Three Phase		Power	Weight
				230 V	400 V		
l	l/min	l/min	ways/positions			kW	kg
5	0,36	4	4/2	HAT7292	HAT7294	0,75	31,4
10	0,36	4	4/2	HAT7392	HAT7394	0,75	37,6
14	0,36	4	4/2	HAT7492	HAT7494	0,75	41,4

ACCESSORIES

H Oil Cooler for Powerpacks

- When the powerpack is used continuously.
- Stabilizes oil viscosity.



C Roll Bar and R Wheel Kit

- Protects pump and its components: motor, valves, etc.
- For easy portability.
- Different sizes available.
- Wheels make powerpacks easy to move.
- Two wheels supplied with break.



Couplers

Model	Coupling	Thread	Pressure
LARZEP	Type		bar
AZ3325	Male	Female 3/8"-NPT	1.000
AZ3326	Male	Male 1/4"-NPT	1.000
AZ3341	Female	Female 3/8"-NPT	1.000
AZ3346	Female	Male 1/4"-NPT	1.000



AR, Twin Hoses

- 4:1 Safety Factor
- Rubber Guard on both ends.
- Internal Diameter 6,4 mm; Oil Capacity: 35 cm³ per meter.



Int. mm	Hose 1	Hose 2	Pressure bar	Length		
	End	End		3 m	6 m	10 m
6,4	2 x AZ3341	2 x AZ3325	700	AR2030G2	AR2060G2	AR2100G2



Abdex
HYDRAULICS

Abdex Hydraulics
www.abdexhydraulics.com.au -
sales@abdexhydraulics.com.au

Performance under Pressure