

TORQUE WRENCH PUMPS



- ✓ Tanks from 5 to 14 litres.
- ✓ Push button controlled solenoid valves.
- ✓ Internal safety valve set at 700 bar to prevent overpressure.
- ✓ Precision adjustable pressure regulating valve.
- ✓ 4 way / 2 position valve.
- ✓ For use with double acting torque wrenches only.
- ✓ Supplied with a 3 metre cable with remote pendant.
- ✓ Easy to operate: Pressing the button advances the tool and when releasing it retracts automatically.
- ✓ Option: Oil cooler. Add 'H' to the reference.



AZ3
Coupler 3/8"-18 NPT included.



P.114

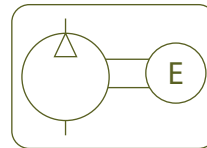
AR2
Hoses



P.112



TORQUE WRENCH PUMP

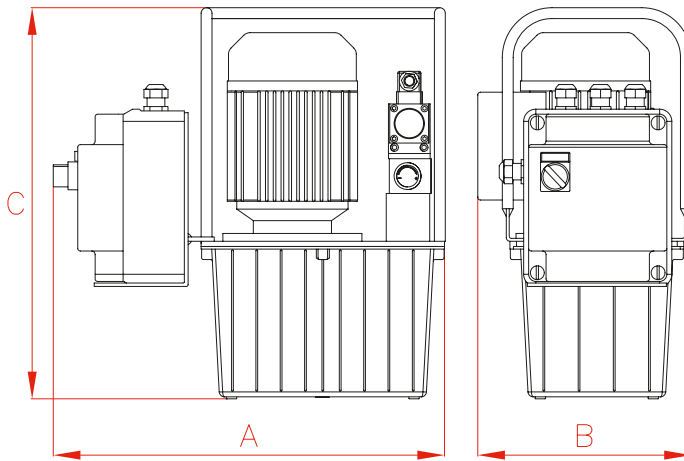


Type **HAT**

Capacity **5- 14 litres**

Max. pressure **700 bar**

HAT PUMPS



Capacity	A	B	C
l	mm	mm	mm
5	460	280	540
10	500	350	600
14	540	368	615

Tank	Flow at 700 bar	Flow at 60 bar	Valve	50 Hz Single Phase		60Hz Single Phase		Power	Weight
				l/min	l/min	ways/positions	230 V		
5	0,36	4	4/2	HAT7291	HAT7295	HAT7293	HAT7296	0,75	35
10	0,36	4	4/2	HAT7391	HAT7395	HAT7393	HAT7396	0,75	41
14	0,36	4	4/2	HAT7491	HAT7495	HAT7493	HAT7496	0,75	45

Tank	Flow at 700 bar	Flow at 60 bar	Valve	50/60 Hz 3 Phase		Power	Weight
				l/min	l/min		
5	0,36	4	4/2	HAT7292	HAT7294	0,75	32
10	0,36	4	4/2	HAT7392	HAT7394	0,75	38
14	0,36	4	4/2	HAT7492	HAT7494	0,75	42