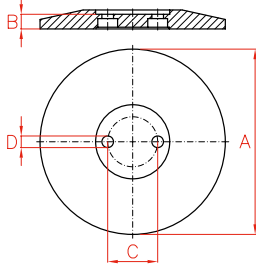


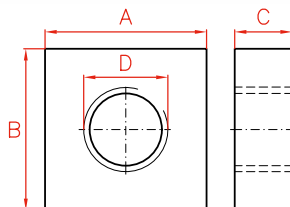
## ATTACHMENTS FOR SM AND D MODELS

### Base Plate



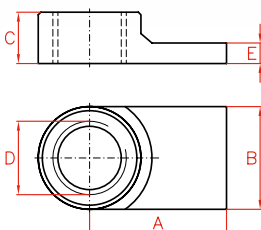
Capacity (ton)		Model	A	B	C	D	Weight
SM	D	LARZEP	mm	mm	mm	mm	kg
5	-	SM005P	150	15	25	7,0	2,2
10	10	SM010P	180	15	39	8,5	2,7
15	-	SM015P	180	15	47	10,0	2,7
23	20	SM023P	215	17	58	13,5	4,9
30	30	SM030P	215	17	66	13,5	4,9

### Mounting Block



Capacity (ton)		Model	A	B	C	D
SM	D	LARZEP	mm	mm	mm	UN
5	-	SM005B	76	90	25	1 1/2" - 16
10	10	SM010B	90	114	30	2 1/4" - 14
15	-	SM015B	100	114	30	2 3/4" - 16
23	-	SM023B	127	127	45	3 5/16" - 12
30	30	SM030B	135	135	45	3 7/8" - 12

### Collar Toe



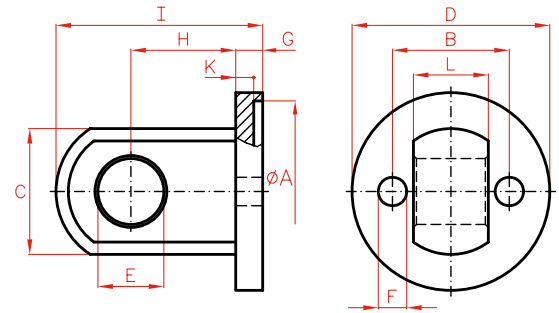
### WARNING

When using this accessory do not exceed 350 bar.

Capacity (ton)		Model	A	B	C	D	E
SM	D	LARZEP	mm	mm	mm	UN	mm
5	-	SM005U	54	31	25	1 1/2" - 16	11
10	10	SM010U	79	60	37	2 1/4" - 14	12
23	-	SM023U	105	80	40	3 5/16" - 12	20

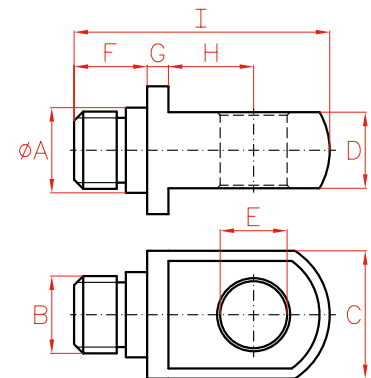


Clevis Eye Body



Capacity (ton)		Model	A	B	C	D	E	F	G	H	I	K	L
SM	D	LARZEP	mm	mm	mm	mm	mm	mm	mm	mm	mm	mm	mm
5	-	SM005RB	41	25	28	46	16	8	9	25	50	6	14
10	10	SM010RB	61	39	42	66	22	10	9	35	69	6	25
15	-	SM015RB	76	47	42	82	22	11	9	35	69	6	25
23	20	SM023RB	86	58	57	95	31	14	12	41	84	7	38

Clevis Eye Piston



Capacity (ton)		Model	A	B	C	D	E	F	G	H	I
SM	D	LARZEP	mm	UN	mm	mm	mm	mm	mm	mm	mm
5	-	SM005RP	25	3/4"-16	28	14	16	15	5	19	55
10	10-20	SM010-15RP	28	1"-8	42	25	22	24	7	28	84
23	30	SM023RP	45	1 1/2"-16	57	38	31	27	8	35	101