

SINGLE ACTING PANCAKE CYLINDERS, LOCKNUT, TILTING SADDLE, LOAD RETURN



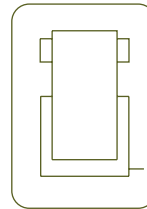
- ✓ Capacities from 50 to 500 ton, strokes up to 50 mm.
- ✓ Load return. Locknut tested under 50% overload.
- ✓ The locknut holds the load mechanically for extended periods of time.
- ✓ Hydraulic end of stroke overflow port. Without stop ring. Red band warning.
- ✓ Built-in tilting saddle to improve side-load resistance.
- ✓ Body, nut and saddle black nitrided to improve corrosion and wear resistance.
- ✓ Used in confined spaces.



STC
Single Acting Locknut Cylinders



P.26

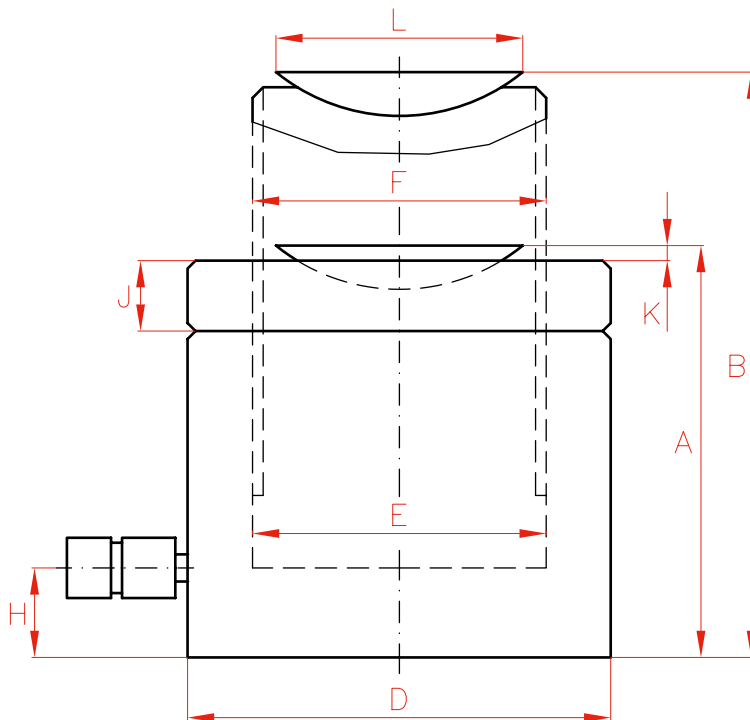


S/A LOCKNUT CYLINDERS



Type	STX
Capacity	50 - 500 ton
Stroke	45 - 50 mm
Max. pressure	700 bar

STX CYLINDERS



STX
Built-in Tilting Saddle



P.32

SX - SMX
Single Acting Low Profile Cylinders,
Load or Spring Return



P.24

Capacity		Stroke	Model	Oil Cap.	A	B	D	E	F	H	J	K	L	Area	Weight
ton	kN	mm	LARZEP	cm ³	mm	mm	mm	mm	mm	mm	mm	mm	mm	cm ²	kg
50	496	50	STX05004	355	125	175	125	95	Tr 95x4	20	21	6	85	71	11
100	929	45	STX10004	597	137	182	165	130	Tr 130X5	23	31	8	117	133	22
150	1.407	45	STX15004	905	148	193	205	160	Tr 160x6	28	38	9	143	201	39
230	2.199	45	STX23004	1.413	155	200	255	200	Tr 200x6	32	40	10	150	314	62
300	3.036	45	STX30004	1.952	173	218	310	235	Tr 235x6	38	45	11	209	433	97
400	4.008	45	STX40004	2.577	180	225	350	270	Tr 270x6	44	50	10	258	572	130
500	5.114	45	STX50004	3.388	195	240	400	305	Tr 305x6	50	60	10	285	730	184