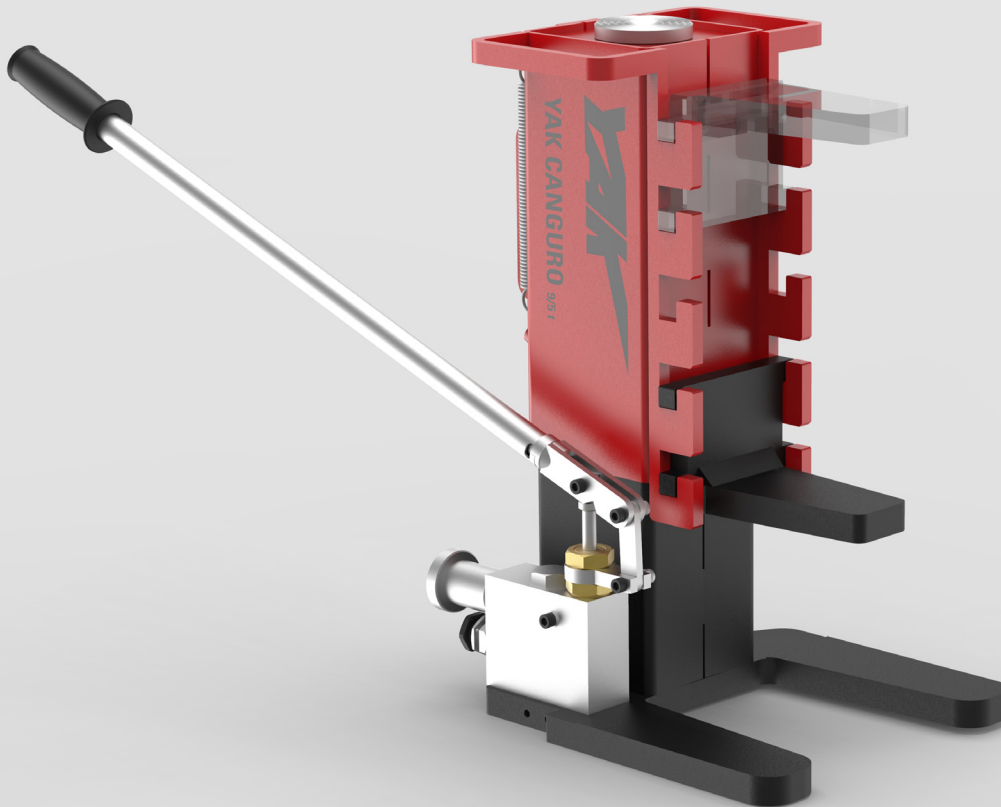




CANGURO



Victoria

A: 27 Metcalf Street, Dandenong South, Victoria, 3175

P: (03) 9796 3744

Western Australia

A: 260 Allen Road Forrestdale, Western Australia, 6112

P: (08) 9418 4988

Queensland

A: Unit 8, 315 Archerfield Road, Richlands, Queensland, 4077

P: (03) 9796 3744

New South Wales

A: Unit D, 26 Penny Place, Arndell Park, New South Wales, 2148

P: (03) 9796 3744

E: sales@abdexhydraulics.com.au

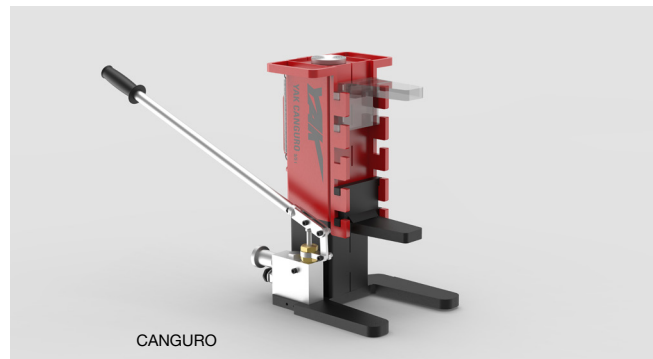
HYDRAULIC JACK

Hydraulic jack with hand pump. Very flexible operation thanks to the adjustable lifting bracket that can be put in 9 different positions exploiting maximum piston stroke. Fitted with handle and wheels which make it even more practical to use. 70 and 120 mm extensions are also available on request. Ideal for reliable and safe assistance on forklift trucks and public works vehicles.

SPECIFICATIONS

YAK CANGURO

Capacity	9/5 t 9.9/5.5 ton
Net weight	30 kg 66 lb
Stroke	150 mm 5.91 in



DIMENSIONS

YAK CANGURO

A	600 mm 23.63 in
B	340 mm 13.39 in
C	260 mm 10.24 in
D	345 mm 13.58 in
E	25 mm 0.98 in
F	90 mm 3.54 in
G	115 mm 4.53 in
H	150 mm 5.91 in
L	175 mm 6.89 in
M	210 mm 8.27 in
N	235 mm 9.25 in
O	300 mm 11.81 in
P	120 mm 4.72 in

	5 t 5.5 ton
--	----------------

	9 t 9.9 ton
--	----------------

