



**215/P**

**217/P**

**221/P**



### **Victoria**

A: 27 Metcalf Street, Dandenong South, Victoria, 3175

P: (03) 9796 3744

### **Western Australia**

A: 260 Allen Road Forrestdale, Western Australia, 6112

P: (08) 9418 4988

### **Queensland**

A: Unit 8, 315 Archerfield Road, Richlands, Queensland, 4077

P: (03) 9796 3744

### **New South Wales**

A: Unit D, 26 Penny Place, Arndell Park, New South Wales, 2148

P: (03) 9796 3744

E: [sales@abdexhydraulics.com.au](mailto:sales@abdexhydraulics.com.au)

# AIR HYDRAULIC PORTABLE JACKS

Air hydraulic jacks for heavy vehicles, lightweight and easy to handle, with removable handle. The pistons move back automatically; the two descent valves guarantee perfect holding in all situations and controlled speed under load. Our portable series par "excellence", all the reliability and practicality of our jacks in a more compact version. Ideal for keeping on board the vehicle and for who provides road assistance. They can work with the vehicles' own compressors.

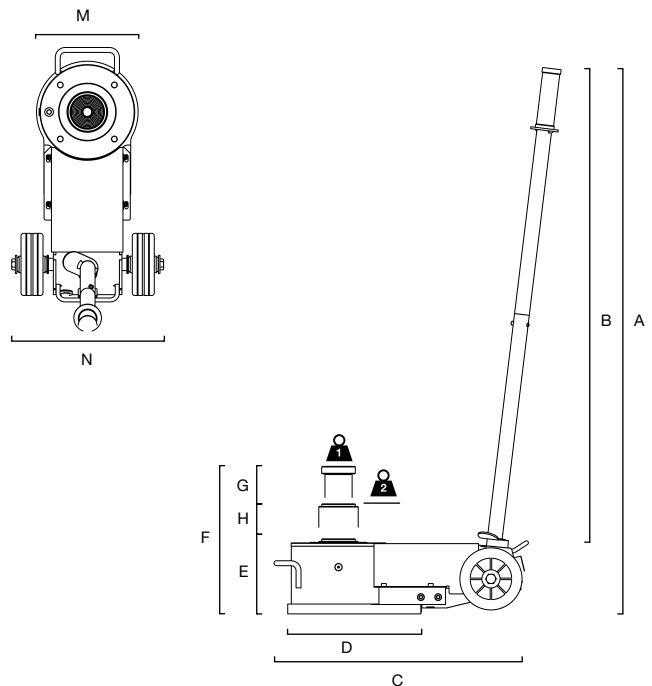
| SPECIFICATIONS       | YAK 215/P               | YAK 217/P               | YAK 221/P               |
|----------------------|-------------------------|-------------------------|-------------------------|
| Capacity             | 40/20 t<br>44/22 ton    | 40/20 t<br>44/22 ton    | 40/20 t<br>44/22 ton    |
| Net weight           | 35 kg<br>77 lb          | 37 kg<br>82 lb          | 42 kg<br>93 lb          |
| Working air pressure | 8-10 bar<br>116-145 psi | 8-10 bar<br>116-145 psi | 8-10 bar<br>116-145 psi |
| Air waste            | 400 nl/min              | 400 nl/min              | 400 nl/min              |



## INCLUDED ACCESSORIES



| DIMENSIONS | YAK 215/P           | YAK 217/P           | YAK 221/P           |
|------------|---------------------|---------------------|---------------------|
| A          | 1110 mm<br>43.70 in | 1110 mm<br>43.70 in | 1110 mm<br>43.70 in |
| B          | 960 mm<br>37.80 in  | 960 mm<br>37.80 in  | 960 mm<br>37.80 in  |
| C          | 490 mm<br>19.29 in  | 490 mm<br>19.29 in  | 490 mm<br>19.29 in  |
| D          | 325 mm<br>12.80 in  | 325 mm<br>12.80 in  | 325 mm<br>12.80 in  |
| E          | 152 mm<br>5.98 in   | 174 mm<br>6.85 in   | 219 mm<br>8.62 in   |
| F          | 299 mm<br>11.77 in  | 351 mm<br>13.81 in  | 469 mm<br>18.46 in  |
| G          | 76 mm<br>2.99 in    | 88 mm<br>3.46 in    | 125 mm<br>4.92 in   |
| H          | 71 mm<br>2.80 in    | 89 mm<br>3.50 in    | 125 mm<br>4.92 in   |
| M          | 206 mm<br>8.11 in   | 206 mm<br>8.11 in   | 206 mm<br>8.11 in   |
| N          | 310 mm<br>12.20 in  | 310 mm<br>12.20 in  | 310 mm<br>12.20 in  |



|  |        |        |        |
|--|--------|--------|--------|
|  | 20 t   | 20 t   | 20 t   |
|  | 40 t   | 40 t   | 40 t   |
|  | 22 ton | 22 ton | 22 ton |
|  | 44 ton | 44 ton | 44 ton |

