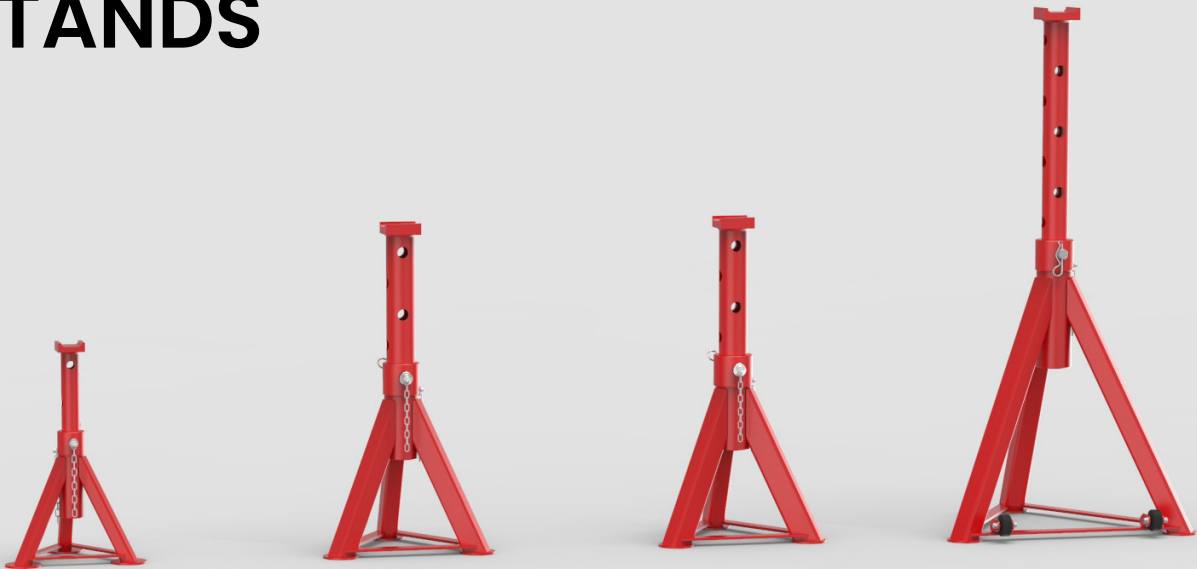




# AXLE STANDS



## Victoria

A: 27 Metcalf Street, Dandenong South, Victoria, 3175

P: (03) 9796 3744

## Western Australia

A: 260 Allen Road Forrestdale, Western Australia, 6112

P: (08) 9418 4988

## Queensland

A: Unit 8, 315 Archerfield Road, Richlands, Queensland, 4077

P: (03) 9796 3744

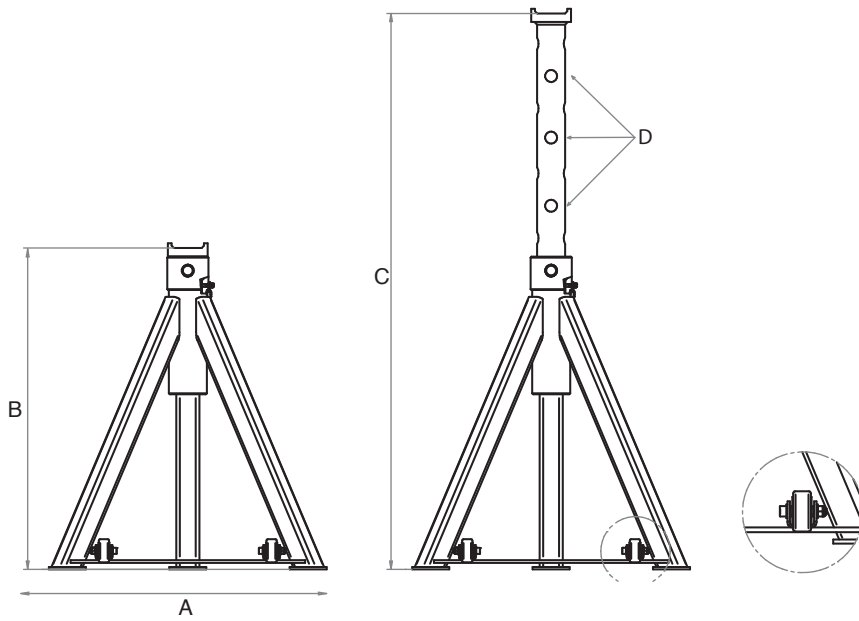
## New South Wales

A: Unit D, 26 Penny Place, Arndell Park, New South Wales, 2148

P: (03) 9796 3744

E: [sales@abdexhydraulics.com.au](mailto:sales@abdexhydraulics.com.au)

# AXLE STANDS



	AS05-048	AS05-073	AS05-120	AS10-048	AS10-073	AS10-120	AS15-048	AS15-073	AS15-120	AS20-048	AS20-073	AS20-120
Capacity	5 t 5.5 ton	5 t 5.5 ton	5 t 5.5 ton	10 t 11 ton	10 t 11 ton	10 t 11 ton	15 t 16.5 ton	15 t 16.5 ton	15 t 16.5 ton	20 t 22 ton	20 t 22 ton	20 t 22 ton
Net weight	7 kg 15.4 lb	9.5 kg 20.9 lb	16 kg 35.3 lb	10 kg 22 lb	13,5 kg 29.8 lb	21,5 kg 47.4 lb	13 kg 28.7 lb	17,5 kg 38.6 lb	27,5 kg 60.6 lb	13,5 kg 29.8 lb	18,5 kg 40.8 lb	30 kg 66.1 lb
A	340 mm 13.39 in	450 mm 17.72 in	680 mm 26.77 in	350 mm 13.78 in	440 mm 17.32 in	680 mm 26.77 in	350 mm 13.78 in	440 mm 17.32 in	680 mm 26.77 in	350 mm 13.78 in	18.5 mm 40.8 in	680 mm 26.77 in
B	310 mm 12.2 in	445 mm 17.52 in	695 mm 27.36 in	310 mm 12.2 in	445 mm 17.52 in	695 mm 27.36 in	310 mm 12.2 in	445 mm 17.52 in	695 mm 27.36 in	310 mm 12.2 in	445 mm 17.52 in	695 mm 27.36 in
C	480 mm 18.9 in	730 mm 28.74 in	1200 mm 47.24 in	480 mm 18.9 in	730 mm 28.74 in	1200 mm 47.24 in	480 mm 18.9 in	730 mm 28.74 in	1200 mm 47.24 in	480 mm 18.9 in	730 mm 28.74 in	1200 mm 47.24 in
D	3	5	8	3	5	8	3	5	8	3	5	8
Wheels			•			•			•			•