



40/Q
50/QL
60/Q
100/Q



Victoria

A: 27 Metcalf Street, Dandenong South, Victoria, 3175

P: (03) 9796 3744

Western Australia

A: 260 Allen Road Forrestdale, Western Australia, 6112

P: (08) 9418 4988

Queensland

A: Unit 8, 315 Archerfield Road, Richlands, Queensland, 4077

P: (03) 9796 3744

New South Wales

A: Unit D, 26 Penny Place, Arndell Park, New South Wales, 2148

P: (03) 9796 3744

E: sales@abdexhydraulics.com.au

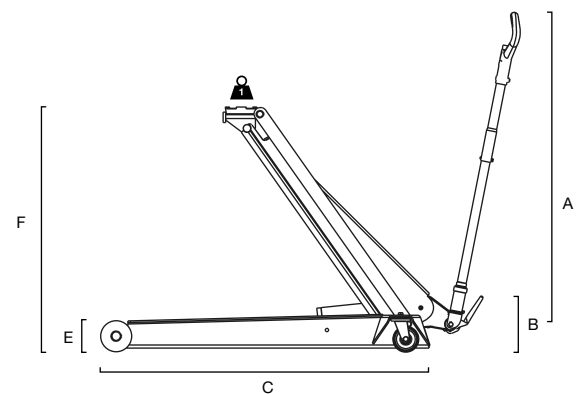
HYDRAULIC TROLLEY JACK

Manual hydraulic trolley jacks.
The pump is manually operated by handle movement. The pedal control on "Q" models is used for a quick approach. Lightweight and easy to handle, ideal for tyre repairers, workshops and bodywork shops.

SPECIFICATIONS	YAK 40/Q	YAK 50/QL	YAK 60/Q	YAK 100/Q
Capacity	4 t 4.4 ton	5 t 5.5 ton	6 t 6.6 ton	10 t 11 ton
Net weight	88 kg 194 lb	170 kg 375 lb	95 kg 209 lb	118 kg 260 lb



DIMENSIONS	YAK 40/Q	YAK 50/QL	YAK 60/Q	YAK 100/Q
A	950 mm 37.40 in	1200 mm 47.24 in	1200 mm 47.24 in	1200 mm 47.24 in
B	240 mm 9.45 in	265 mm 10.43 in	240 mm 9.45 in	260 mm 10.24 in
C	800 mm 31.5 in	1290 mm 50.79 in	800 mm 31.5 in	805 mm 31.69 in
E	140 mm 5.51 in	140 mm 5.51 in	140 mm 5.51 in	150 mm 5.91 in
F	600 mm 23.62 in	975 mm 38.29 in	600 mm 23.62 in	585 mm 23.03 in



4 t 4.4 ton	5 t 5.5 ton	6 t 6.6 ton	10 t 11 ton
----------------	----------------	----------------	----------------

