

# M200-65



## Victoria

A: 27 Metcalf Street, Dandenong South, Victoria, 3175

P: (03) 9796 3744

## Western Australia

A: 260 Allen Road Forrestdale, Western Australia, 6112

P: (08) 9418 4988

## Queensland

A: Unit 8, 315 Archerfield Road, Richlands, Queensland, 4077

P: (03) 9796 3744

## New South Wales

A: Unit D, 26 Penny Place, Arndell Park, New South Wales, 2148

P: (03) 9796 3744



E: [sales@abdexhydraulics.com.au](mailto:sales@abdexhydraulics.com.au)

# M200-65

Mammut Air / Hydraulic heavy vehicle jacks are engineered and manufactured to offer all customers a lifting solution that is reliable, safe and easy to use.

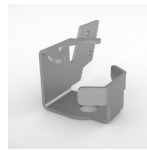
## M200-65



- Lightweight, quiet, compact and easy to manoeuvre.
- Remote control as standard for extra safety.
- Folding handle.
- Wide range of models and capacities from 60 t to 200 L
- Designed for tough Australian conditions
- Pneumatic tyres for easy operation.
- Internal check valves to prevent unintentional descent.
- Load blocks are available for mechanical lock and to turn jack into a jack stand.

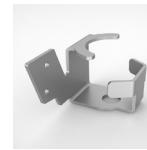
Capacity:	200 t / 220.4 ton
Net Weight:	385 kg / 848 lb
Working Air Pressure:	10-12 bar / 145 - 174 psi
Air Consumption:	600 nl/min
Min. Height:	650 mm / 25.5 in
Max. Height:	1,000 mm / 39.3 in
Number of Pistons:	1
Pistons Stroke:	350 mm / 13.7 in

## Accessories



### M4936

Extension Holder Left



### M4935

Extension Holder Right



### M4930

Extension 200 mm



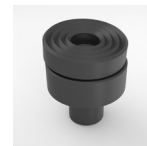
### M4931

Extension 250 mm



### M4932

Extension 300 mm



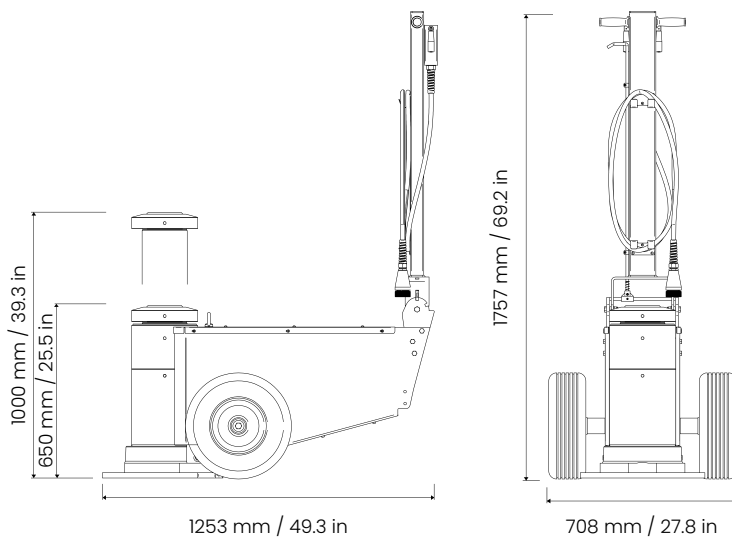
### A04495

Tilt Saddle



### LBS200-65

Load block Set



sales@abdexhydraulics.com.au



www.mammut.com.au