

# MXM 20-120-ASNZ



## Victoria

A: 27 Metcalf Street, Dandenong South, Victoria, 3175

P: (03) 9796 3744

## Western Australia

A: 260 Allen Road Forrestdale, Western Australia, 6112

P: (08) 9418 4988

## Queensland

A: Unit 8, 315 Archerfield Road, Richlands, Queensland, 4077

P: (03) 9796 3744

## New South Wales

A: Unit D, 26 Penny Place, Arndell Park, New South Wales, 2148

P: (03) 9796 3744



E: [sales@abdexhydraulics.com.au](mailto:sales@abdexhydraulics.com.au)

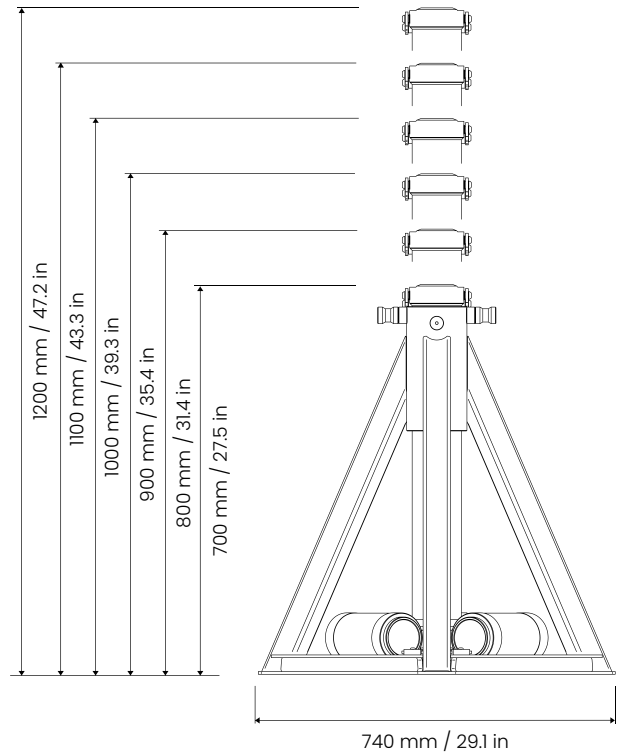
## MXM 20-120-ASNZ

Light, powerful, and easily adjustable. This jack stand is perfect to sustain up to 20 metric tons (AS-NZ standard compliant) after the lifting operation. It allows you to work safely and efficiently. The jack stand can be easily adjusted without air or electric power in six height positions.

### MXM 20-120-ASNZ



Capacity:	20 t / 22 ton
Net Weight:	50 kg / 110 lb
Min Height:	700 mm / 27.5 in
Max Height:	1,200 mm / 47.2 in
Positions:	6
Air Requirement:	None



[sales@abdexhydraulics.com.au](mailto:sales@abdexhydraulics.com.au)



[www.mammut.com.au](http://www.mammut.com.au)