



215/N
217/N
221/N



Victoria

A: 27 Metcalf Street, Dandenong South, Victoria, 3175

P: (03) 9796 3744

Western Australia

A: 260 Allen Road Forrestdale, Western Australia, 6112

P: (08) 9418 4988

Queensland

A: Unit 8, 315 Archerfield Road, Richlands, Queensland, 4077

P: (03) 9796 3744

New South Wales

A: Unit D, 26 Penny Place, Arndell Park, New South Wales, 2148

P: (03) 9796 3744

E: sales@abdexhydraulics.com.au

AIR HYDRAULIC JACKS

Air hydraulic jack for heavy vehicles, practical and easy to handle. The pistons move back automatically; the two descent valves guarantee perfect holding in all situations and controlled speed under load. Ideal for workshops, mobile workshops, tyre repairers and bodywork shops.

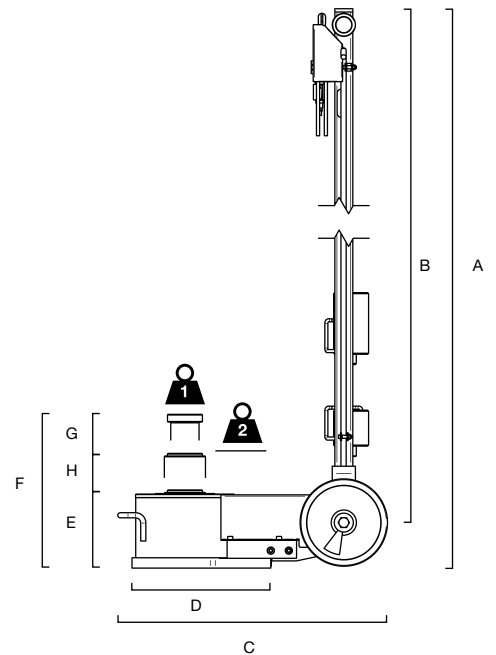
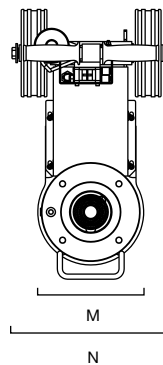
SPECIFICATIONS	YAK 215/N	YAK 217/N	YAK 221/N
Capacity	40/20 t 44/22 ton	40/20 t 44/22 ton	40/20 t 44/22 ton
Net weight	39 kg 86 lb	41 kg 90 lb	46 kg 101 lb
Working air pressure	8-10 bar 116-145 psi	8-10 bar 116-145 psi	8-10 bar 116-145 psi
Air waste	400 nl/min	400 nl/min	400 nl/min



INCLUDED ACCESSORIES



DIMENSIONS	YAK 215/N	YAK 217/N	YAK 221/N
A	1400 mm 55.12 in	1400 mm 55.12 in	1400 mm 55.12 in
B	1311 mm 56.61 in	1311 mm 56.61 in	1311 mm 56.61 in
C	525 mm 20.67 in	525 mm 20.67 in	525 mm 20.67 in
D	325 mm 12.80 in	325 mm 12.80 in	325 mm 12.80 in
E	152 mm 5.98 in	174 mm 6.69 in	219 mm 8.62 in
F	370 mm 14.7 in	440 mm 17.32 in	469 mm 18.46 in
G	76 mm 2.99 in	88 mm 3.46 in	125 mm 4.92 in
H	71 mm 2.80 in	89 mm 3.50 in	125 mm 4.92 in
M	206 mm 8.11 in	206 mm 8.11 in	206 mm 8.11 in
N	310 mm 12.20 in	310 mm 12.20 in	310 mm 12.20 in



1	20 t 22 ton	20 t 22 ton	20 t 22 ton
2	40 t 44 ton	40 t 44 ton	40 t 44 ton

