

CMI25N150-FS

MODULAR LIFTING SET WITH STACKABLE ELEMENTS

FEATURES

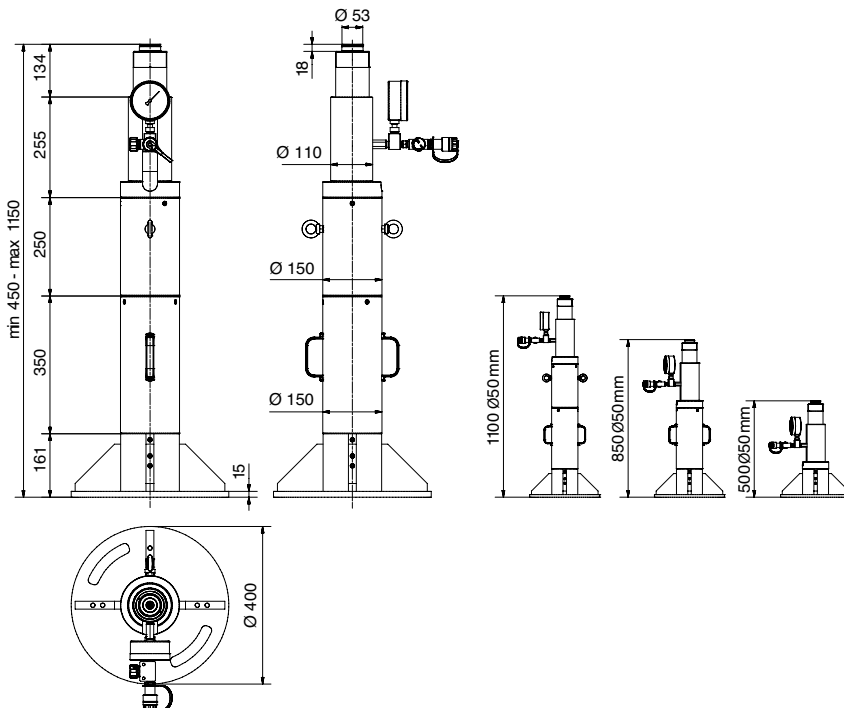
The system is combinable in all of its three main parts which allows to use simple alloy components in column and just a few screws.

This set is composed of CMI25N150 + ZTT31 + GAUGE + VRU38.

- Main strokes: 1100/850/500 mm.
- 2 spacer 50 mm thickness which allow to vary +/- 50 mm the total height of the system.
- Maximum load applicable: 232 kN.
- Stackable tubes and round base plate.



Sets of different strokes and characteristics from the standard can be supplied on specific request.



EPP SYSTEMS FOR SPECIAL APPLICATIONS