

COF#N / COF#L

CYLINDERS OIL RETURN WITH HOLLOW PISTON

STEEL AND ALUMINIUM

FEATURES

All **COF** cylinders are supplied with a smooth hollow saddle and have a threaded body, rod and base to facilitate the fixing and inserting of the necessary accessories.

These cylinders are equipped with a safety valve which is connected to the retract chamber and prevents any possible over pressure.

The end of stroke nut has a wiper to prevent the entrance of dirt.

The nitride anti-corrosive treatment makes them suitable for works in harsh environments and in the open air.

OPERATIONAL AREAS

The through hole makes them particularly suitable for tensioning, mounting and the extraction of pulleys, bushings and heat exchanger pipes.

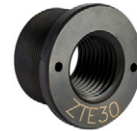
They can be used in pushing and pulling operations by putting a bar or a cable attached to the saddle.

OPTIONS

- **L version**, cylinders with aluminum body (**COF###L###**).

ACCESSORIES (p. 49)

- **ZTE threaded saddle** allows the mounting of threaded bars.



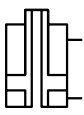
STANDARD

- **Smooth hollow saddle** avoids any risk of rod deformation.



It's important to drop the pressure inside the cylinder before disconnecting the quick coupler to avoid problems if re-inserting or lowering the load. In case some pressure persists it is possible to use the apposite tool **KST38**.

Follow EUROPRESS safety instructions see useful pages (p. 176).

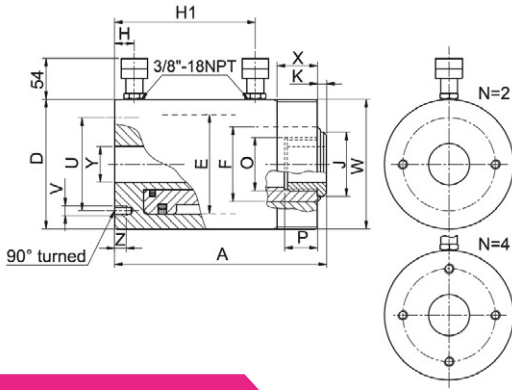


● FORCE	30 - 200 t
● STROKE	75 - 250 mm
● MAX WORKING PRESSURE	700 bar

COF#N / COF#L

CYLINDERS OIL RETURN WITH HOLLOW PISTON

STEEL AND ALUMINIUM



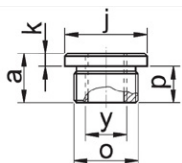
HYDRAULIC CYLINDERS

SELECTION CHART

PUSHING FORCE	PULLING FORCE	STROKE	PUSHING EFFECTIVE AREA	PULLING EFFECTIVE AREA	PUSHING OIL VOLUME	PULLING OIL VOLUME	MODEL	CLOSED HEIGHT	Ø EXTERNAL VERSION N	Ø EXTERNAL VERSION L	Ø PISTON	Ø ROD	COUPLERS HEIGHT	Ø HOLLOW SADDLE	ROD PROJECTION	ROD INTERNAL THREAD	ROD THREAD DEPTH	PCD MOUNTING HOLES	BASE MOUNTING HOLES DEPTH	COLLAR THREAD	COLLAR THREAD LENGTH	Ø THROUGH HOLE	WEIGHT VERSION N	WEIGHT VERSION L	
								A	D	E	F	H	H1	J	K	O	P	U	V / Z	W	X	Y	kg	kg	
30 334	18 176	100	47.7	25.1	477	251	COF30N100	196	115				152										13	11	
		150			716	377	COF30N150	246	125	90	70	21	202	57.5	2	M48 x1,5	32	65	2xM10 12	M115 x2	20	34	16	14	
		250			1193	628	COF30N250	346					302												21
60 590	31 309	75	84.3	44.1	632	331	COF60N75	186					134										26	18	
		100			842	442	COF60N100	211	165				159	81.5	2	M72 x1,5	40	90	4xM10 16	M165 x4	25	54.5	28	19	
		150			1264	663	COF60N150	261	180	125	100	26	209											34	24
		250			2106	1104	COF60N250	361					309												46
100 947	58 568	75	135.3	81.1	1015	608	COF100N75	214					155										47	29	
		150			2029	1216	COF100N150	289	215	165	130	36	230	117.5	4	M102 x1,5	55	130	4xM12 15	M215 x4	35	80.5	61	37	
		250			3382	2027	COF100N250	389	235				330												79
150 1435	76 748	200	205	106.9	4100	2136	COF150N200	349	247 269	190	150	36	284	127.5	4	M112 x2	60	-	-	-	-	80.5	100	71	
200 1979	94 924	200	282.7	132	5655	2639	COF200N200	380	305 330	230	190	37	305	167.5	5	M135 x2	70	-	-	-	-	103	160	108	

* Nominal value, see kN for the exact force.

ACCESSORIES ZTE THREADED SADDLES



MODEL	For use with	a	k	j	p	y	o	kg
ZTE30	COF30 # # # #	39	7	57.5	32	1 1/4" - 7 UNC	M48x1,5	0.3
ZTE60	COF60 # # # #	47	7	81.5	40	1" - 5 1/2 UNS	M72x1,5	0.8

MODEL CODING

COF	30	N	###
Series	Pushing Force in t	N = steel L = aluminium	Stroke in mm