

M80-31-S2



Victoria

A: 27 Metcalf Street, Dandenong South, Victoria, 3175

P: (03) 9796 3744

Western Australia

A: 260 Allen Road Forrestdale, Western Australia, 6112

P: (08) 9418 4988

Queensland

A: Unit 8, 315 Archerfield Road, Richlands, Queensland, 4077

P: (03) 9796 3744

New South Wales

A: Unit D, 26 Penny Place, Arndell Park, New South Wales, 2148

P: (03) 9796 3744



E: sales@abdexhydraulics.com.au

M80-31-S2

Mammut Air / Hydraulic heavy vehicle jacks are engineered and manufactured to offer all customers a lifting solution that is reliable, safe and easy to use.



M80-31-S2

Capacity:	80/50/25 t 88.2/55.1/27.6 ton
Net Weight:	163 kg / 359 lb
Working Air Pressure:	10-12 bar / 145 - 174 psi
Air Consumption:	600 nl/min
Min. Height:	342 mm / 13.5 in
Max. Height:	848 mm / 33.4 in
Number of Pistons:	3
Pistons Stroke:	506 mm / 19.9 in

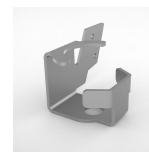
- Lightweight, quiet, compact and easy to manoeuvre.
- Remote control available for extra safety.
- Folding handle.
- Wide range of models and capacities from 60t to 150t.
- Designed for tough Australian conditions.
- Pneumatic tyres for easy operation.
- Internal check valves to prevent unintentional descent.
- Load blocks are available for mechanical lock and to turn jack into a jack stand.

Accessories



M4933

Extension Holder Right



M4934

Extension Holder Left



M4937

Extension 150 mm



M4938

Extension 250 mm



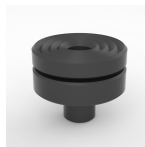
M4939

Extension 300 mm



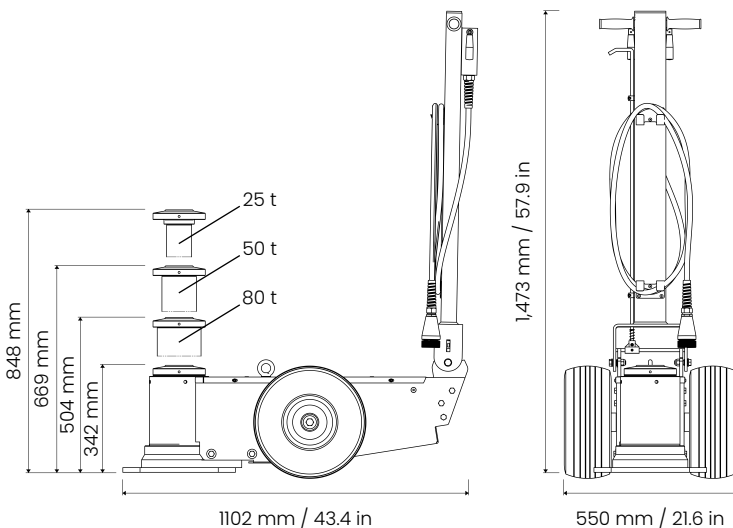
LBS80

Load block Set
3x M4905, 1x M4906,
1x M4907, 1x M4923



A04492

Tilt Saddle



sales@abdexhydraulics.com.au



www.mammut.com.au