



1615H
1620H
1815H
1820H



Victoria

A: 27 Metcalf Street, Dandenong South, Victoria, 3175

P: (03) 9796 3744

Western Australia

A: 260 Allen Road Forrestdale, Western Australia, 6112

P: (08) 9418 4988

Queensland

A: Unit 8, 315 Archerfield Road, Richlands, Queensland, 4077

P: (03) 9796 3744

New South Wales

A: Unit D, 26 Penny Place, Arndell Park, New South Wales, 2148

P: (03) 9796 3744

E: sales@abdexhydraulics.com.au

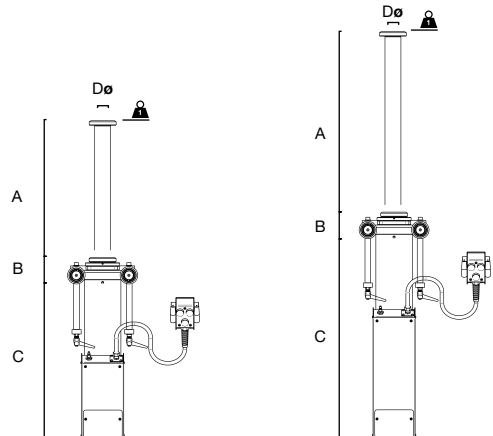
SUSPENDED AIR HYDRAULIC PIT JACKS

Our new range of suspended pit jacks is designed for heavy vehicles. It is also the ideal solution for service and maintenance of gearboxes and differentials, thanks to the innovations that make them unique on the market.

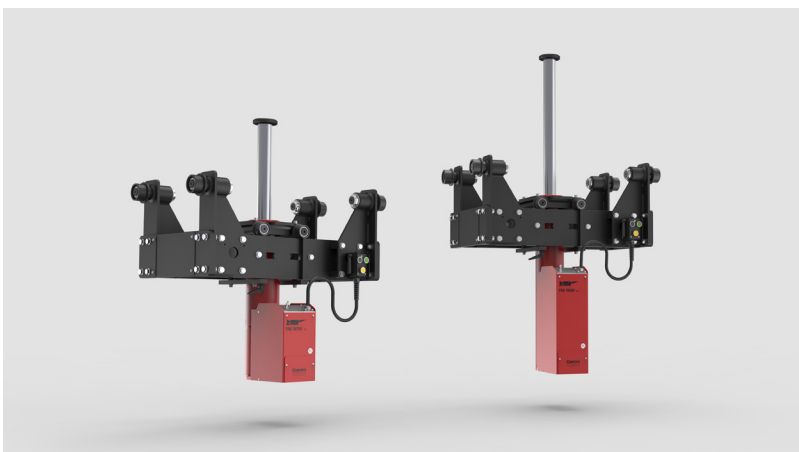
SPECIFICATIONS	YAK 1615H	YAK 1620H	YAK 1815H	YAK 1820H
Capacity	15 t 17 ton	20 t 19 ton	15 t 17 ton	20 t 19 ton
Net weight	125 kg 275 lb	125 kg 275 lb	141 kg 310 lb	141 kg 310 lb
Working air pressure	8-10 bar 116-145 psi	8-10 bar 116-145 psi	8-10 bar 116-145 psi	8-10 bar 116-145 psi
Air waste	600 nl/min	600 nl/min	600 nl/min	600 nl/min



DIMENSIONS	YAK 1615H	YAK 1620H	YAK 1815H	YAK 1820H
A	600 mm 23.6 in	600 mm 23.6 in	800 mm 31.4 in	800 mm 31.4 in
B	110 mm 4.3 in	110 mm 4.3 in	110 mm 4.3 in	110 mm 4.3 in
C	680 mm 26.7 in	680 mm 26.7 in	880 mm 34.6 in	880 mm 34.6 in
D ϕ	55 mm 2.1 in	55 mm 2.1 in	55 mm 2.1 in	55 mm 2.1 in



15 t 17 ton	20 t 19 ton	15 t 17 ton	20 t 19 ton
----------------	----------------	----------------	----------------



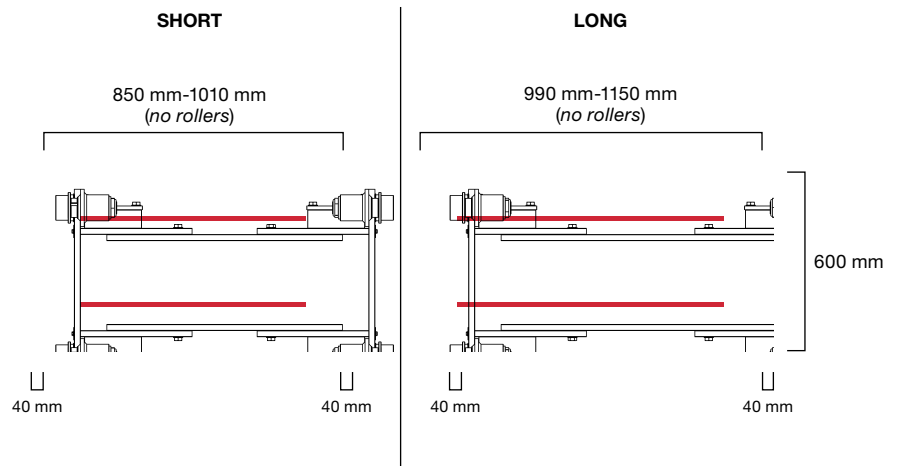
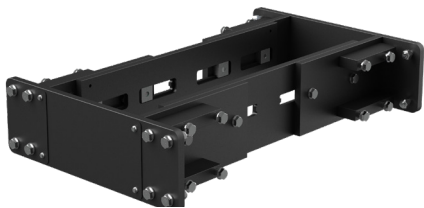
ADJUSTABLE BEAM



Thanks to this adjustable and configurable beam, the jack can be adapted to any type of pit, thus reducing the waste of material and time needed to set and customize heavy custom-made beams improving convenience

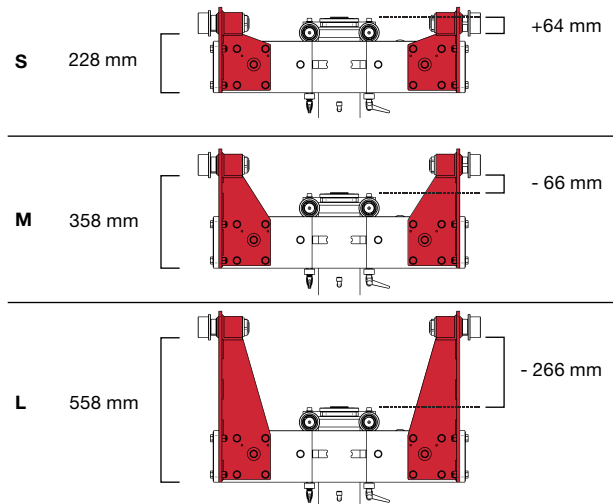
ADJUSTABLE ELEMENTS

Length
SHORT / LONG



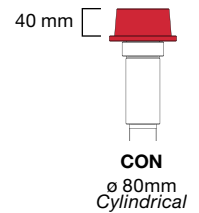
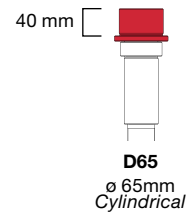
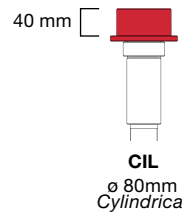
HEIGHT

S / M / L



Rollers type

CIL / D65 / CON



Remote control



The new H-line jacks are all equipped with remote control to make lifting and descending operations as easy as possible, guaranteeing the operator's maximum safety when using the equipment. The remote control is fitted with magnets at the rear allowing the operator to fix it to any metal surface at his convenience.

