

UGJ

TROLLEY JACKS

FEATURES

UGJ trolley jacks feature polyamide swivel castors for smooth and quiet operations. All models are fitted with a foot pedal for fast approach to the load. In addition all models are fitted with a safety valve and stroke limiting device. 2 and 3 ton models have fixed and swivel polyamide wheels, that do not damage the floors and are very quiet in operation.

OPERATIONAL AREAS

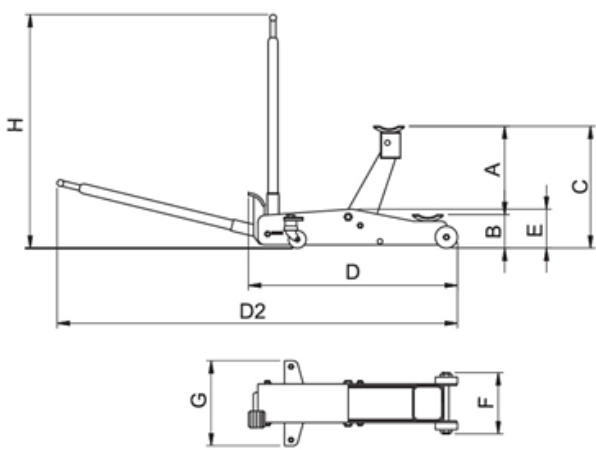
These jacks are used mainly in machine shops and garages to lift vehicles.



Check that the saddle is placed centrally under the load to be lifted.



Products subject to periodic variations. For more detailed information please call the sales department or visit our website.



SELECTION CHART

FORCE	MODEL	DIMENSIONS MM									WEIGHT
		A	B	C	D	D2	E	F	G	H	
T											
2	UGJ2	365	125	490	900	1610	135	257	360	980	35
3	UGJ3	380	145	525	1220	1650	135	257	360	980	36
6	UGJ6	380	195	575	1300	2215	220	336	414	1150	81
10	UGJ10	380	195	575	1600	2530	270	386	414	1150	121