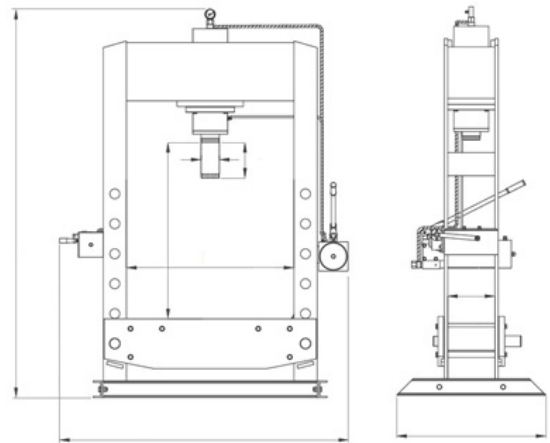
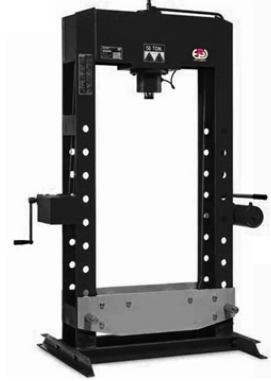


UP PRESSES

FEATURES

Made of steel and equipped with an hydraulic part, they are produced on request and can be customised according to specific needs.

The hydraulic part is made of standard products with a single or double acting cylinder, a single or double stage pump, and a gauge to guarantee a better safety and they are completed with a winch in order to lift the bed quickly and easily.



For more detailed technical information please call the sales department and visit the website.



Products subject to periodical variations.
For more detailed technical information please call the sales department and visit the website.

SELECTION CHART

FORCE	MODEL	Dimensions mm								Weight
		A	B	C	D	E	F	G	H	
t		A	B	C	D	E	F	G	H	kg
30	UPM30N190	2000	600	1300	695	1000	170	190	60	280
40	UPM40N190	2100	850	1420	770	1135	200	190	60	405
50	UPM50N190	2110	850	1420	770	1135	210	190	60	455
70	UPM70N210	2235	900	1580	880	1120	270	210	90	700
100	UPM100N215	2290	900	1740	1010	1055	285	215	110	960