



AXLE STANDS



Victoria

A: 27 Metcalf Street, Dandenong South, Victoria, 3175

P: (03) 9796 3744

Western Australia

A: 260 Allen Road Forrestdale, Western Australia, 6112

P: (08) 9418 4988

Queensland

A: 12 Machinery Street, Darra, Queensland, 4076

P: (03) 9796 3744

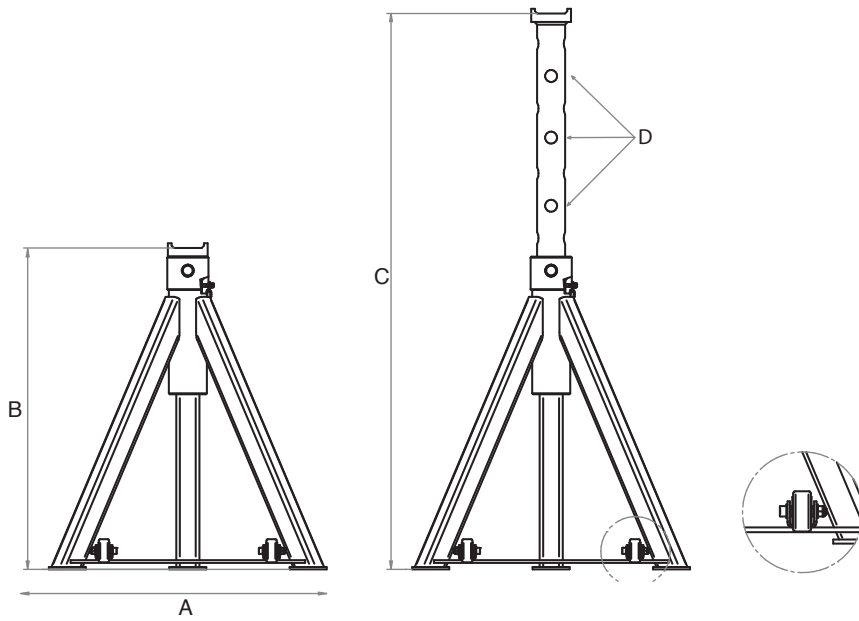
New South Wales

A: Unit D, 26 Penny Place, Arndell Park, New South Wales, 2148

P: (03) 9796 3744

E: sales@abdexhydraulics.com.au

AXLE STANDS



| | AS05-048 | AS05-073 | AS05-120 | AS10-048 | AS10-073 | AS10-120 | AS15-048 | AS15-073 | AS15-120 | AS20-048 | AS20-073 | AS20-120 |
|------------|--------------------|--------------------|---------------------|--------------------|--------------------|---------------------|--------------------|--------------------|---------------------|--------------------|--------------------|---------------------|
| Capacity | 3 t 3000kg | 3 t 3000kg | 3 t 3000kg | 5 t 5000kg | 5 t 5000kg | 5 t 5000kg | 7.5 t 7500kg | 7.5 t 7500kg | 7.5 t 7500kg | 10 t 10000kg | 10 t 10000kg | 10 t 10000kg |
| Net weight | 7 kg 15.4 lb | 9.5 kg 20.9 lb | 16 kg 35.3 lb | 10 kg 22 lb | 13,5 kg 29.8 lb | 21,5 kg 47.4 lb | 13 kg 28.7 lb | 17,5 kg 38.6 lb | 27,5 kg 60.6 lb | 13,5 kg 29.8 lb | 18,5 kg 40.8 lb | 30 kg 66.1 lb |
| A | 340 mm 13.39 in | 450 mm 17.72 in | 680 mm 26.77 in | 350 mm 13.78 in | 440 mm 17.32 in | 680 mm 26.77 in | 350 mm 13.78 in | 440 mm 17.32 in | 680 mm 26.77 in | 350 mm 13.78 in | 18.5 mm 40.8 in | 680 mm 26.77 in |
| B | 310 mm 12.2 in | 445 mm 17.52 in | 695 mm 27.36 in | 310 mm 12.2 in | 445 mm 17.52 in | 695 mm 27.36 in | 310 mm 12.2 in | 445 mm 17.52 in | 695 mm 27.36 in | 310 mm 12.2 in | 445 mm 17.52 in | 695 mm 27.36 in |
| C | 480 mm 18.9 in | 730 mm 28.74 in | 1200 mm 47.24 in | 480 mm 18.9 in | 730 mm 28.74 in | 1200 mm 47.24 in | 480 mm 18.9 in | 730 mm 28.74 in | 1200 mm 47.24 in | 480 mm 18.9 in | 730 mm 28.74 in | 1200 mm 47.24 in |
| D | 3 | 5 | 8 | 3 | 5 | 8 | 3 | 5 | 8 | 3 | 5 | 8 |
| Wheels | | | • | | | • | | | • | | | • |